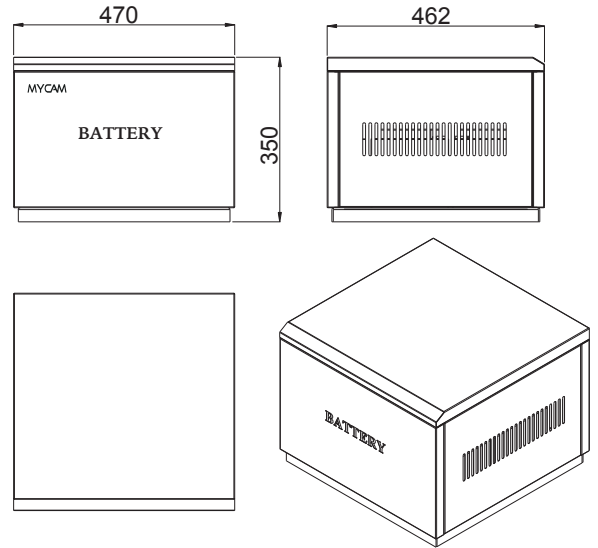
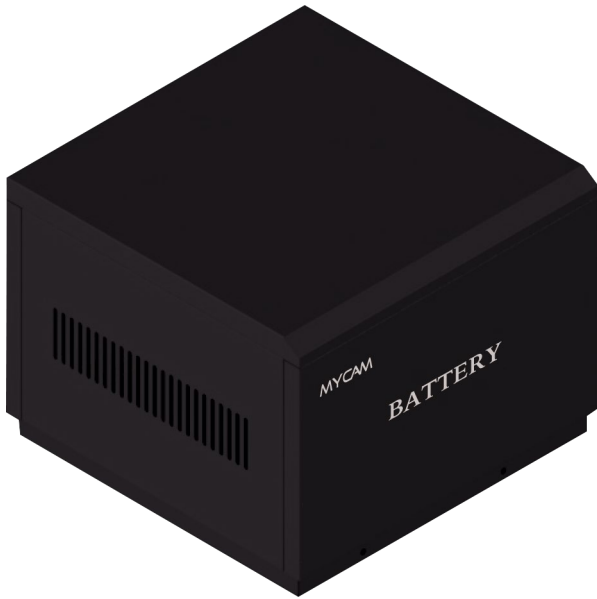
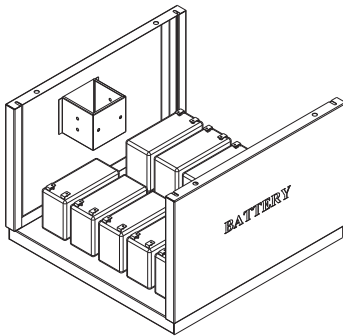


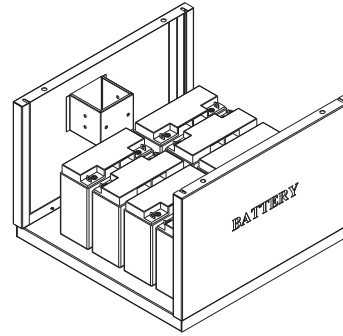
Battery Cabinet



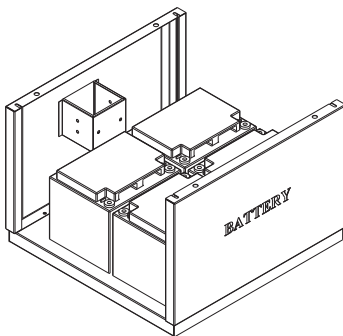
Model	Width(mm)	Depth(mm)	Height(mm)	Net Weight(kg)	Gross Weight(kg)
MC BC02	470	462	350	10.4	11



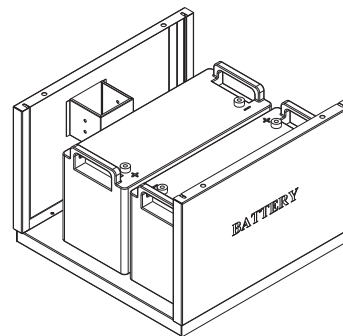
10pcs Batteries
6AH/7AH/9AH
 151 × 65 × 100 (L × W × H)



8pcs Batteries
15AH/20AH/22AH
 181 × 77 × 167 (L × W × H)



4pcs Batteries
38AH/45AH
 198 × 166 × 170 (L × W × H)



2pcs Batteries
100AH/120AH
 407 × 174 × 236 (L × W × H)