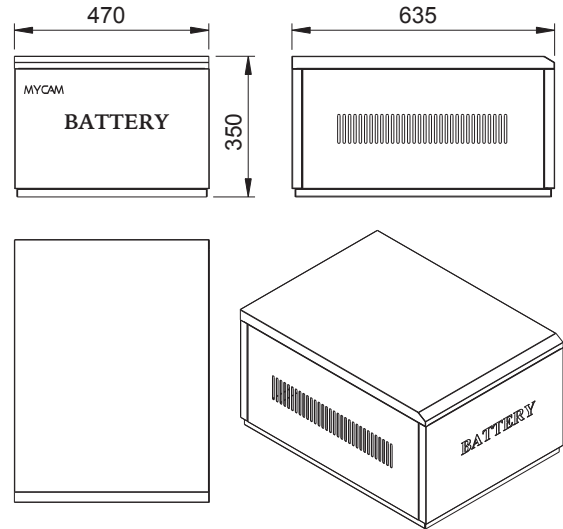
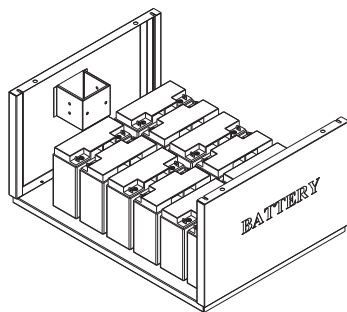


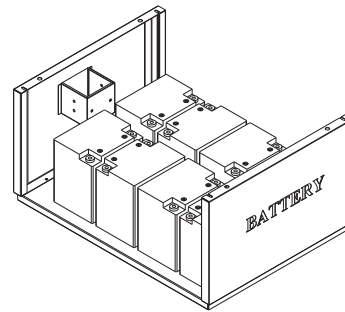
Battery Cabinet



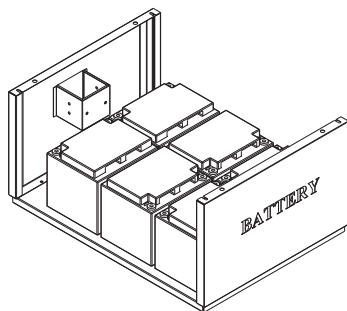
Model	Width(mm)	Depth(mm)	Height(mm)	Net Weight(kg)	Gross Weight(kg)
MC BC03	470	635	350	12.5	14



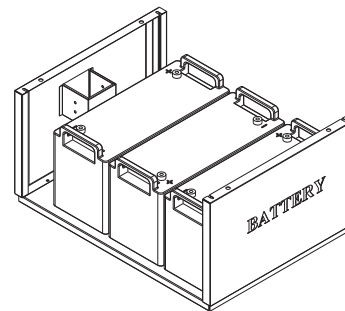
12pcs Batteries
15AH/20AH/22AH
 181 × 77 × 167 (L × W × H)



8pcs Batteries
24AH/28AH
 166 × 126 × 174 (L × W × H)



6pcs Batteries
38AH/45AH
 198 × 166 × 170 (L × W × H)



3pcs Batteries
100AH/120AH
 407 × 174 × 236 (L × W × H)