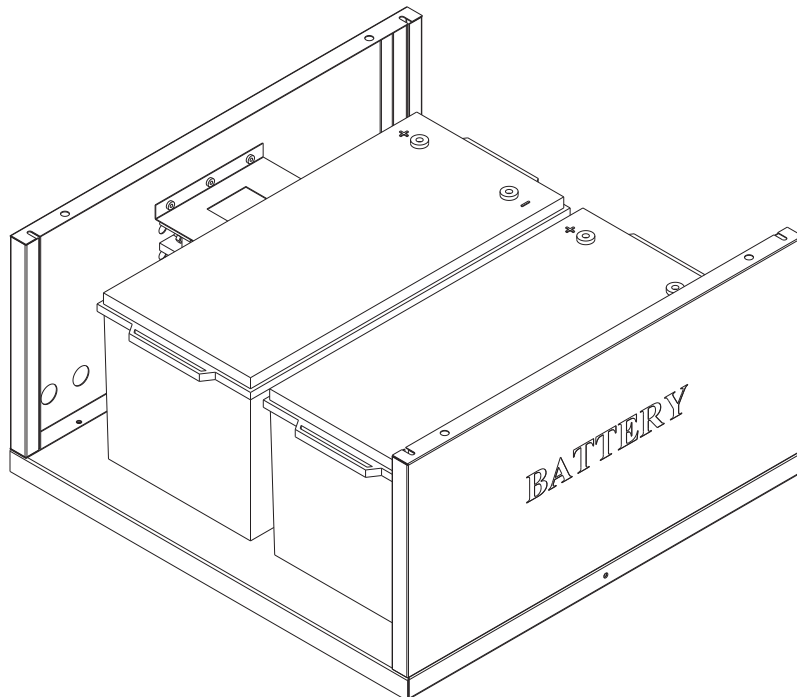


Model	Width(mm)	Depth(mm)	Height(mm)	Net Weight(kg)	Gross Weight(kg)
MC BCS02	622	620	350	13.5	15



**2pcs Batteries**  
**150AH/200AH**  
 523 × 240 × 230(L × W × H)